

Quality time for better care

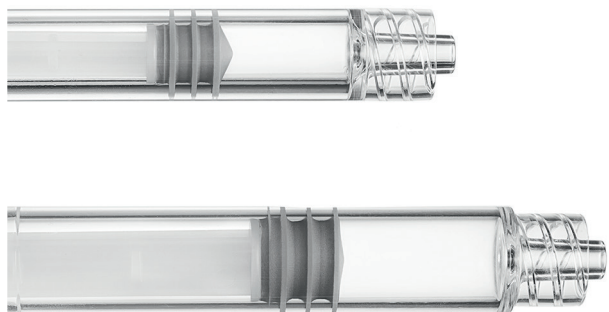


PHARMACEUTICAL

PLAJEX™ Ready-to-Fill Polymer Syringe with Luer Lock



Polymer (COP) Pre-Fillable Syringe
Integrated Luer Lock with Threaded Closure



Polymer syringe platform for reliable and effective drug delivery

Features and benefits

- Twist-off cap for ease of use
- Both closure parts from the same elastomeric contact material (CIIR)
- Minimize extractables and leachables
- Excellent strength and clarity*
- Dimensional accuracy
- Ready-to-fill format
- Steam sterilized



PLAJEX™ with Luer Lock	
Syringe size	0.5ml, 1 ml long, 2.25ml, 3ml reference to ISO 11040-6
Syringe barrel lubrication	Silicone Oil Optional: 0.5ml, 1 ml long, 2.25ml silicone oil-free
Luer Lock	Integrated molded Luer Lock Compliant with EN ISO 80369-7
Twist-off tip cap	<ul style="list-style-type: none"> • Rubber Component: Chlorobutyl rubber (CIIR) • Rigid cap: Polypropylene
Plunger stopper	Chlorobutyl rubber (CIIR) Reference to ISO 11040-5 Optional: 0.5ml, 1 ml long, 1-3ml i-coating™ (silicone resin coating)

Images are for visualization purpose only.

Please note that some products may not be available in all regions, please reach out to your local Terumo Medical Care Solutions - Pharmaceutical contact for details. All brand names are trademarks or registered trademarks owned by TERUMO CORPORATION, its affiliates, or unrelated third parties. TERUMO CORPORATION, its affiliates, or unrelated third parties.

*Data on file.

PLAJEX™
Ready-to-Fill Polymer Syringe



Terumo Europe N.V.
+32 16 38 12 11

Terumo Corporation
+81 3 6742 8500

Contact details are subject to change.
Please consult our website.

Terumo Medical Corporation
Phone: +1 732 302 4900
Toll free (U.S.A.): +1 800 283 7866

www.terumopharmaceuticalsolutions.com